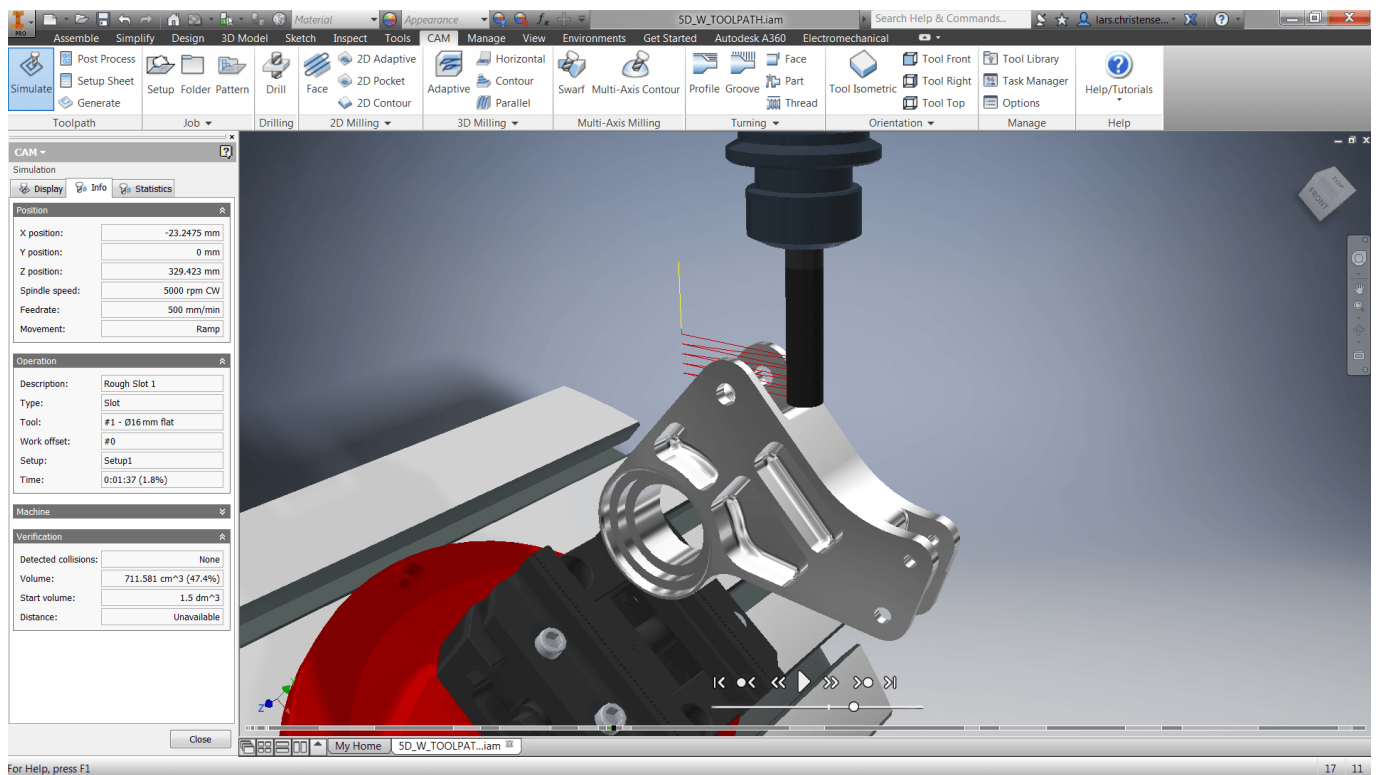




[Autodesk Inventor Professional For Mac](#)



[Autodesk Inventor Professional For Mac](#)



**DOWNLOAD**

---

SOFTWARE FOR MECHANICAL DESIGN AND SIMULATION Autodesk® Inventor® software provides engineers and designers a professional grade solution for 3D mechanical design, simulation, visualization, and documentation.. Autodesk Inventor Professional For StudentsAutodesk InventorAutodesk Autodesk Inventor Professional - 2-Year Subscription Design, Visualize, and Simulate.

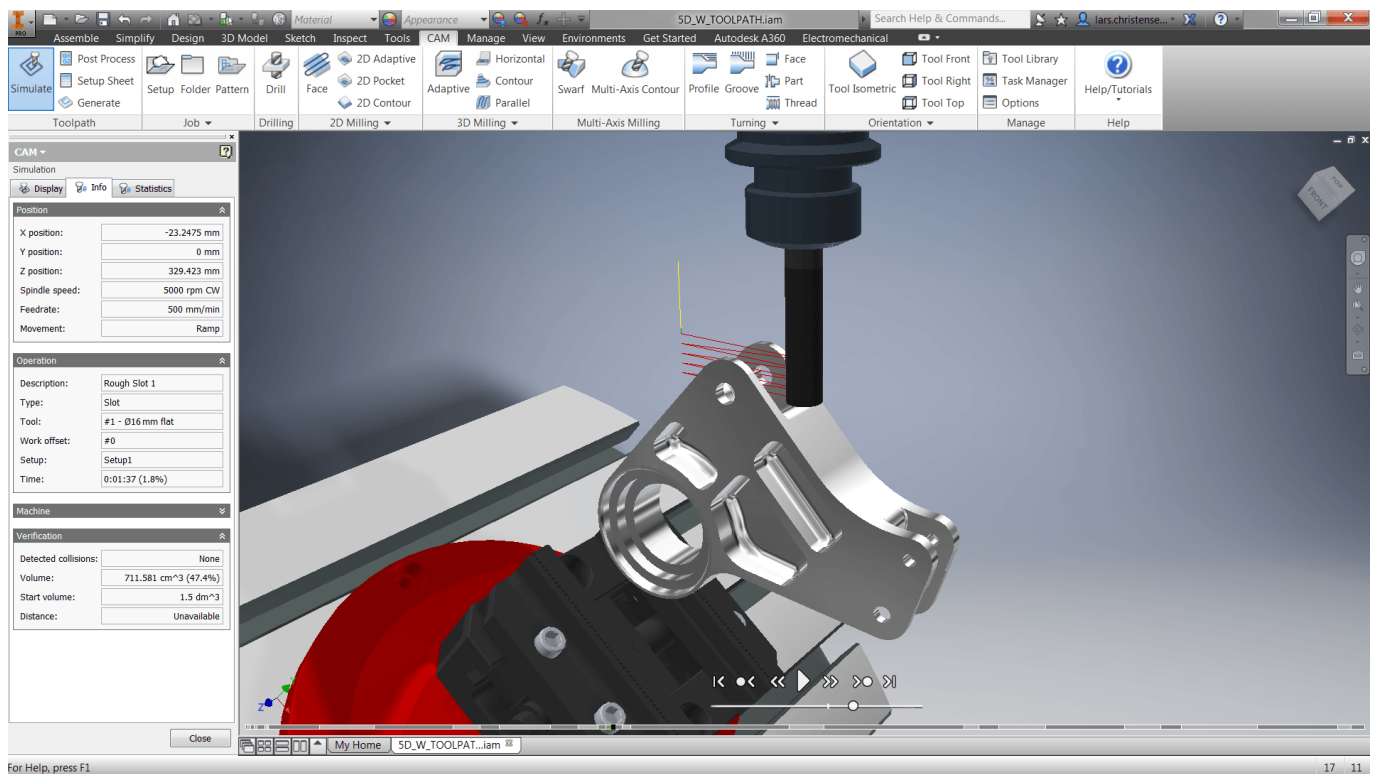
1. [autodesk inventor professional](#)
2. [autodesk inventor professional 2018](#)
3. [autodesk inventor professional 2020 student](#)

Effective March 21, 2016, Autodesk has combined the lower subscription price of Autodesk® Inventor® with the greater capabilities of Autodesk® Inventor® Professional to create just one subscription option—.. Free Autodesk InventorAutodesk Inventor For Macbook ProMac Versus PC for Autodesk Inventor BOOT SPEED TEST What happens when a 2014 Mac goes head to head with a 2016 PC to run Microsoft Windows and Autodesk's Inventor? How do Macs running Microsoft Windows handle Autodesk's Inventor? Note: The PC is running with twice the Ram (16GB v.. • Remote desktop assistance—Get secure hands-on troubleshooting • Online resources—Access our knowledge base with help documentation, tutorials, training videos, and community support forums.

## **autodesk inventor professional**

autodesk inventor professional, autodesk inventor professional 2021, autodesk inventor professional 2018, autodesk inventor professional 2020 student, autodesk inventor professional 2019 download, autodesk inventor professional certification, autodesk inventor professional 2020 price, autodesk inventor professional 2017, autodesk inventor professional 2018 download, autodesk inventor professional 2021 price [1996 Ryuichi Sakamoto Rar](#)

Autodesk Inventor Professional For StudentsAutodesk Inventor Professional 2019 2 x64-XFORCE Autodesk Inventor – contains a complete set of flexible tools for engineering 3D-design, product analysis, tooling, custom design and exchange of design data.. Helping you to reduce development costs, get to market faster, and make great products. [Logitech Usb Driver Download](#)



[Konvertieren Sie es Mac-Stickerei kostenloser Download](#)

## autodesk inventor professional 2018

[Uvlayout Mac Uvlayout Pro For Mac](#)

Google "AutoDesk Inventor system requirements" (System requirements for Autodesk Inventor 2017 products) 2.. ENHANCED FILE SUPPORT WITH ANYCAD AnyCAD adds new and enhanced file support It also allows forward compatibility for Inventor 2017 to 2018.. 797K1-WW2438-T436-VC 11685 +1 (415) 848 9018 Inventor Professional — 2-Year Subscription is covered by the Novedge Best Price Guarantee.. Autodesk inventor for mac Software and cloud-based services subject to an Educational license may be used solely for and shall not be used for commercial, professional or any other for-profit purposes. [Gratis Modern Combat 4 Apk Original](#)

## autodesk inventor professional 2020 student

[Broadcast Graphics Overlay Software](#)

Notice it requires Windows 3 Remember that you can either Dual Boot from a Mac into Windows or use Parallels Desktop 12 for Mac to run.. The system must meet the following requirements Autodesk Inventor IMPROVED PERFORMANCE Improvements include faster graphics interaction and faster open time for large files, speeding up the design process.. Autocad 2014 for mac: leader pallet Technical support Let us help you resolve issues quickly.. 8GB) PC System Components Model Year: 2016-2017 RAM 16 GB Intel Core i7 2 60 GHz Mac System Components Model Year: 2013-2014 RAM 8 GB Intel Core i5 2.. Every subscriber has access to: • Autodesk support specialists—You can schedule a call, chat online (limited availability), or email us.. Autodesk Inventor Professional 2018 Features MODEL-BASED DEFINITION Use 3D annotations to add tolerance dimensions, notes, and other engineering details to the 3D model.. This change is made to simplify your subscription choices and give you greater value.. Autodesk Inventor includes powerful modeling tools as well as multi-CAD translation capabilities and industry standard DWG™ drawings.. Autodesk Inventor Professional can be used on the Mac via Parallels Desktop for Mac without having to boot directly into the Windows OS, so it is easy to switch between platforms. 0041d406d9 [Big Hero 6 Free Download](#)

---

0041d406d9

[como converter imagem em texto no corel download free for windows 8.1 64bit](#)